



AIR *sm/2*
COOLER



**COLD MACHINE
For Tiles**

Cooler machine to install before the digital printing machine to overthrow the temperature and to eliminate the steam from tile, extending the head's life and assuring a uniform decoration without any flaw.

Aircooler sm/2 is composed by:

- High efficiency fans equipped with energy saving brushless motor housed in specific aerodynamic profile nosepieces to reduce at minimum the noise and improve the efficiency.
- n. 02 semi hermetic compressor.
- Double flat evaporators with a particular wrinkled surface and adequately spaced to guarantee the maximum performance of thermal exchange.
- A condenser installed on the machine.

All surface is covered with specific isolating panel of 60 mm thickness with injected polyurethane 45kg/m³.

The particular and innovative internal shape of machine uniforms the cold air temperature before it is has been blown on tiles guaranteeing big efficiency even during the defrosting phase of a circuit.

Technical Features:

Cooling total power: kW 20, 4

Air fan range: m³/h da 6000 an 8000

Size Aircooler sm/2 1000: mm 1690×2490 H=2250

Size Aircooler sm/2 1500: mm 2330×2490 H=2250

Performance:

Temperature environment 35°

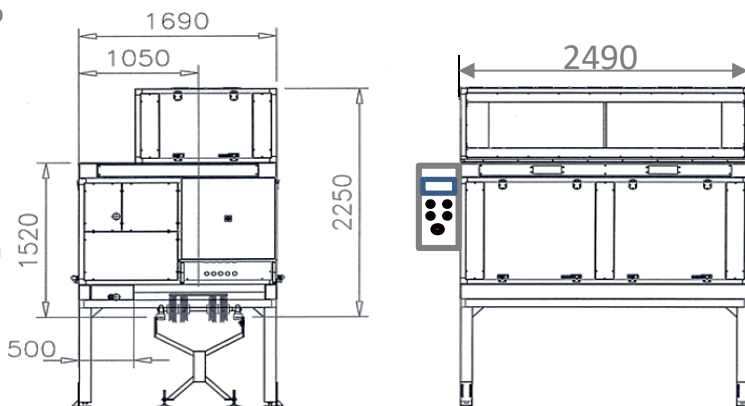
Humidity environment 100%

Compressor absorbed power 8,8 Kw

Delivery air temperature 1,0°

Air range 8000 M³/h temperature -5,4°

Recovery air.



SERMAC s.r.l Via Stoccolma -41049 Sassuolo (MO) Italy
Tel. 0536 814611 - Fax 0536 814604
VAT. IT03470660360 - C.F./P.IVA 03470660360
sermac@ser-mac.it – www.ser-mac.it